

Fig.1

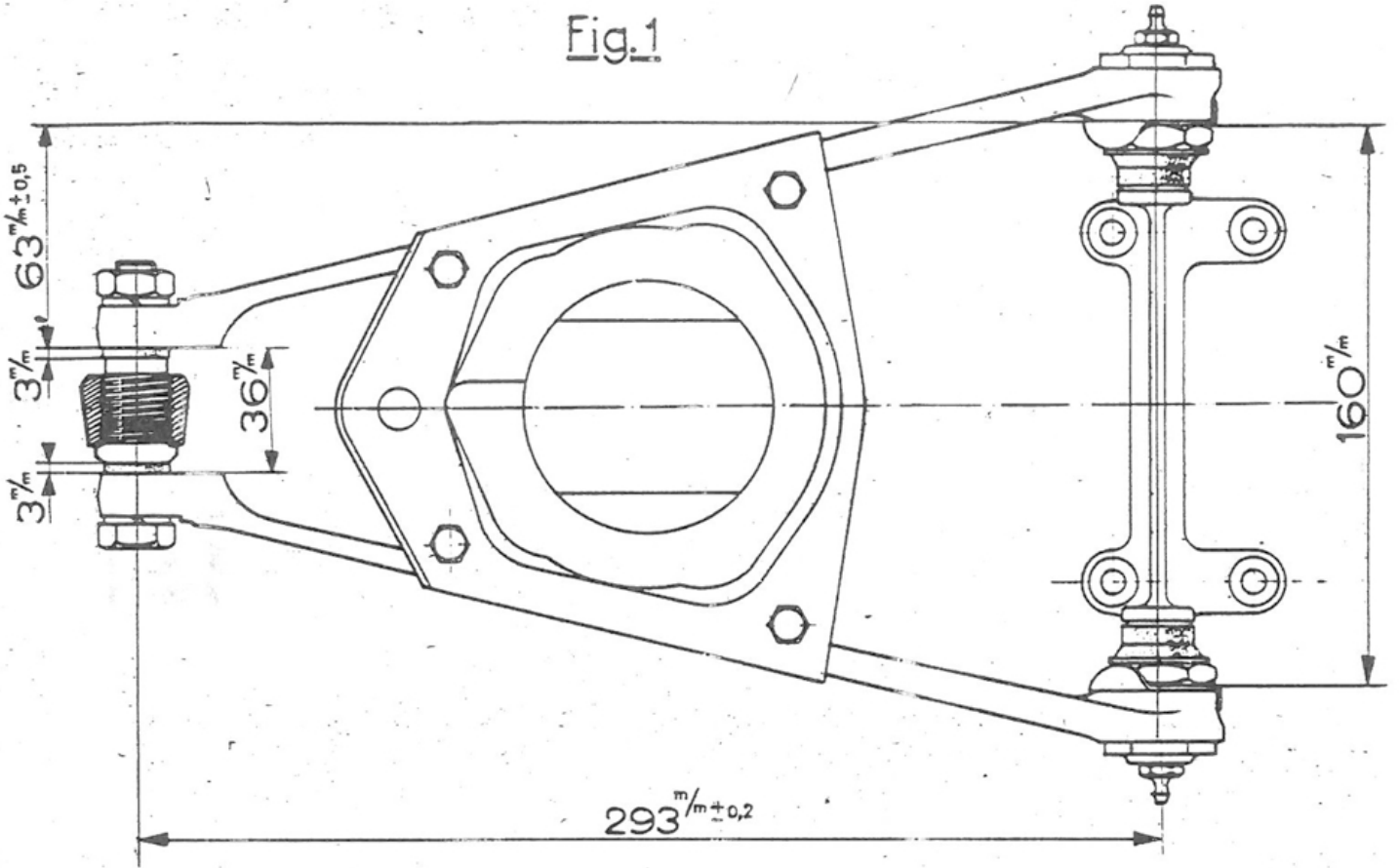
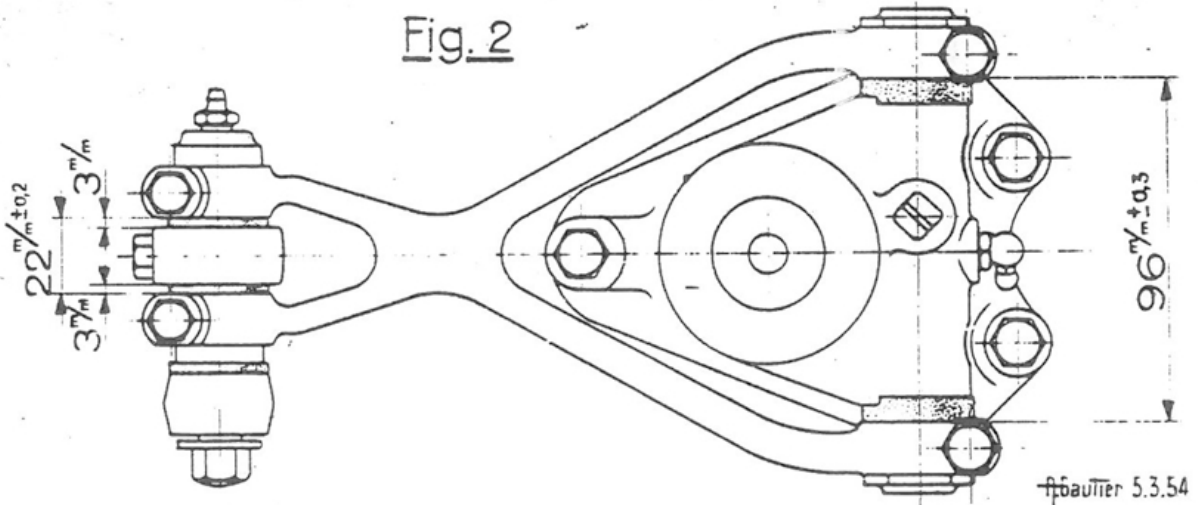


Fig.2



ffbauer 5.3.54