

FIGURE 1

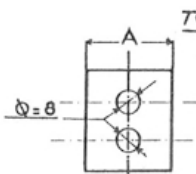


FIGURE 2

TROU Ø8
SOUDURE ARC

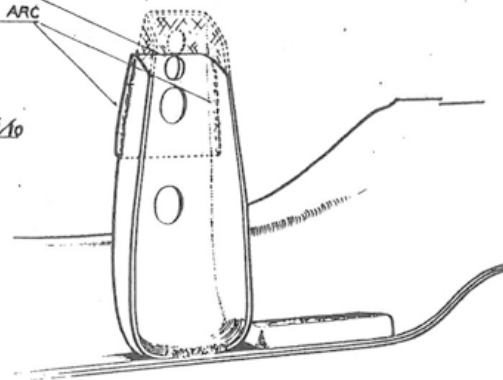


FIGURE 3

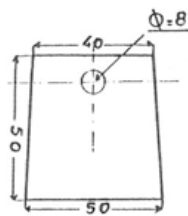


FIGURE 4

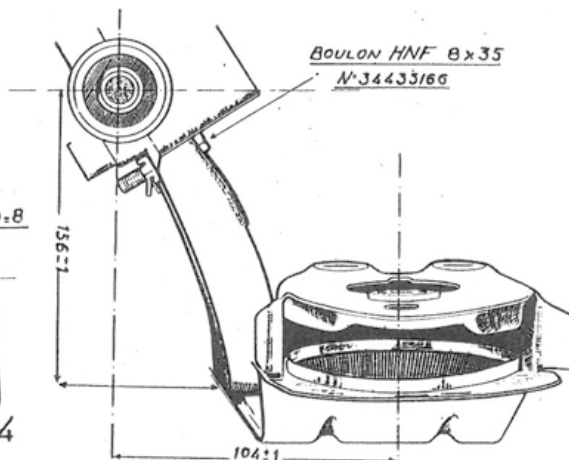


FIGURE 5